

4K^{UHD}**Key Benefits**

- ▶ 3840 x 2160@60Hz native UHD resolution
- ▶ 1920 x 1080 & 1920 x 1200 resolution support
- ▶ 1.07 billion colors (10-bit)
- ▶ PIP Sub-screen & PBP Dual-screen viewing efficiency
- ▶ Display port 1.2 + HDMI 1.4 + HDMI 2.0 video input
- ▶ Video decoding capability up to 1080p (option)
- ▶ Rugged structure ensures high mobility
- ▶ IP65 front protection (option)
- ▶ Professional-use durability & around-the-clock operation
- ▶ 700 nits High Brightness panel (option)

Applications

- Broadcasting / Advertising
- Traffic control / Command center
- Directory / Ticket kiosk
- Surveillance system
- Vehicle mount display
- Bathroom TV

Options**Video Management & Transmission over Network**

- Embedded HDMI Decoder Module 1080p over IP
- Embedded HDMI Receiver Module 1080p
- Embedded HDMI Quad Display Module 1080p
- Embedded Multi Monitor OSD Control Module over serial
- Embedded 3G / HD / SD-SDI Input Module
- 12G / 4K60 / SD-SDI Input Module
- Embedded Portrait Mode Module
- Embedded Auto/Manual Brightness Dimming Module

Bezel & Frame Customization

- Dimension
- Color & Treatment
- Screen Printing
- Stainless Steel Bezel

Touchscreen & Glass Protection

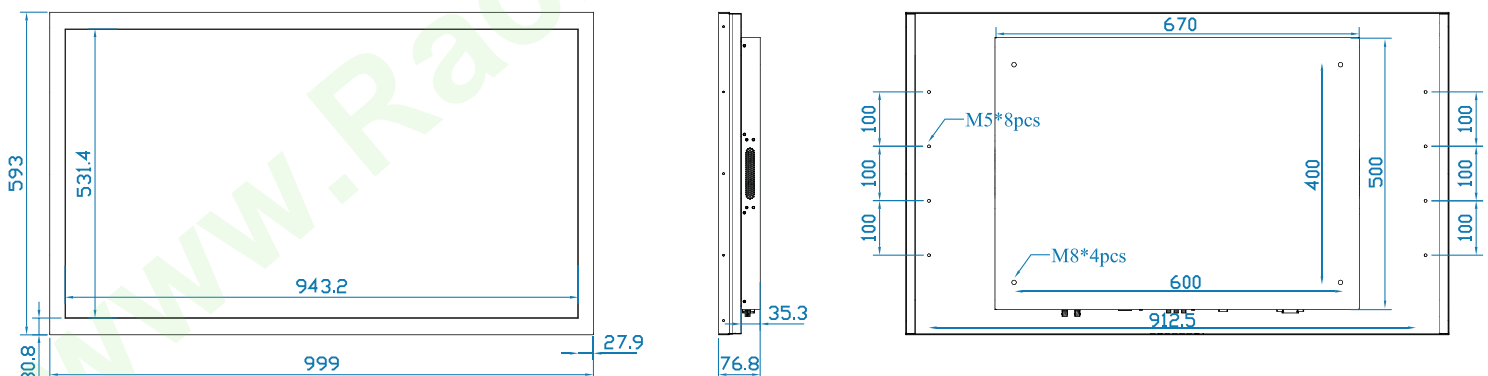
- Infrared 10-point Touch
- IP65 front protection
- Anti-reflective Glass
- Vandal Proof Glass

DC Power & connector

- 12V / 24V / 48V / 110V / 125V / 250VDC
- MIL-type or lockable connector

Mounting

- VESA mount kit
- Desktop stand
- Wall mount

Diagrams (mm)

Product Specifications

LCD Panel	Standard	High Brightness (option)
Brightness (cd/m ²)	350	700
Contrast ratio (typ.)	1000 : 1	1100 : 1
MTBF (hrs)	30,000	50,000
Panel size (diagonal)	43-inch widescreen TFT color LCD	
Native resolution	3840 x 2160 @ 60Hz	
Colors	1.07 Billion, 10-bit	
Viewing angle (L/R/U/D)	89/89/89/89	
Response time (ms)	12	
Dot pitch (mm)	0.2451	
Display area (mm)	941.184H x 529.416V	
Surface treatment	Anti-glare	
Surface hardness	2H	
Backlight type	LED	

Video	
Digital :	
Display port	DP 1.2 / HDCP 1.3
HDMI	HDMI 2.0 / HDCP 2.2 HDMI 1.4 / HDCP 1.4

Audio	
Audio output :	
Connector	3.5mm stereo jack
Resistance / Power level	30kΩ / 2.8V
Speaker :	
Dual stereo speaker	10W x 2

*When the audio output is connected, speaker output is OFF

Power	Standard	High Brightness (option)
Input	Auto-sensing 100 to 240VAC, 50 / 60Hz	
Consumption :		
Screen on	Max. 68W	Max. 220W
Power saving mode	Max. 9W	Max. 9W
Power button on	Max. 2W	Max. 2W

Environment	
Operating temp.	0 to 55°C degree
Storage temp.	-20 to 60°C degree
Operating humidity	20~90%, non-condensing
Storage humidity	5 ~90%, non-condensing
Operating altitude	16,000 ft
Non-operating altitude	40,000 ft
Shock	10G acceleration (11ms duration)
Vibration	10~300Hz 0.5G RMS random vibration

Design	ID-K43Dw
Protection	front cover
Front panel	Black, RAL 9005
Rear casing	Black, RAL 9005

Mounting	ID-K43Dw
VESA mount	600 x 400 mm
Universal mount	-
Desktop stand	option
Wall mount	option

Physical	ID-K43Dw
Product (W x D x H) :	
mm	999 x 76.8 x 593
inch	39.3 x 3 x 23.3
Net weight	29 kg / 63.8 lb

Compliance	
EMC	FCC & CE certified
Safety	CE / LVD certified
Environment	RoHS2 & REACH compliant

Applicable Format		
Display port input	PC signal	3840 x 2160 x 60Hz 1920 x 1080 x 60Hz 1920 x 1200 x 60Hz 1600 x 1200 x 60Hz 1280 x 1024 x 60 / 75Hz 1024 x 768 x 60 / 70 / 75Hz 800 x 600 x 60 / 72 / 75Hz 720 x 400 x 70Hz 640 x 480 x 60 / 72 / 75Hz
	Audio signal	2ch Linear PCM
HDMI input	HDMI 2.0	Same as Display port
	HDMI 1.4	3840 x 2160 x 30 Hz 1920 x 1080 x 50 / 60Hz (1080p) 1920 x 1080 x 25 / 30Hz (1080i) 1280 x 720 x 50 / 60Hz (720p) 720 x 480 x 50 / 60Hz (576p / 480p)
	Audio signal	2ch Linear PCM